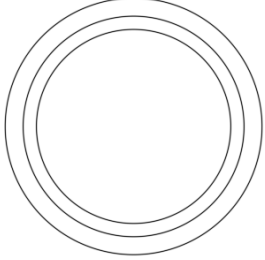
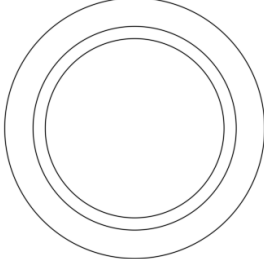



'Plain Lazy Susan' Assembly Guide

Parts

 <p>1 × Part A</p>	 <p>1 × Part B</p>
 <p>15 × Marbles</p>	

Instruction Guide

Starting Point

Step 1
Place the marbles into the circular slot of Part A. Distribute the marbles relatively evenly

Step 2
Place Part B on top of the marbles, so the marbles are within the circular slot of Part B

